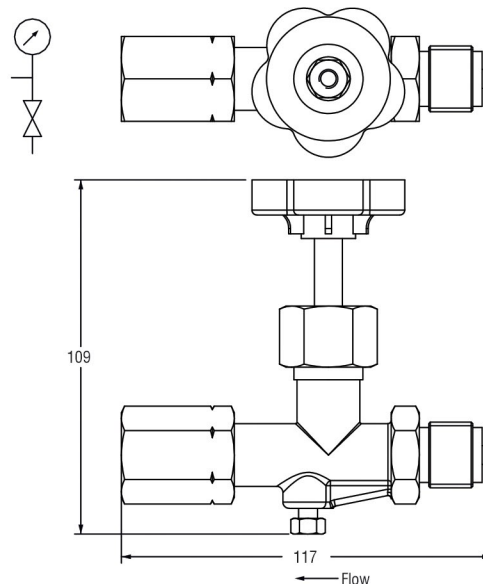
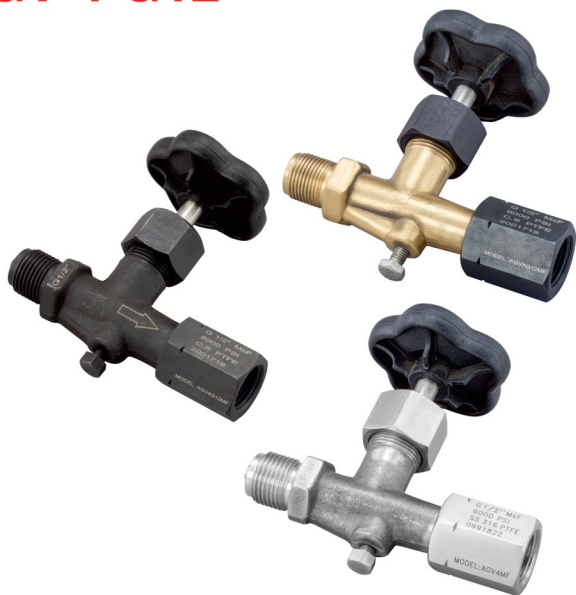


These valves are specially designed in accordance with DIN 16270/16271. The body is forged in union bonnet pattern. The G ¼ connection provides swivel female outlet for suitable positioning of Pressure gauge. Bleed screw is provided for Vent.

Standard Specifications :

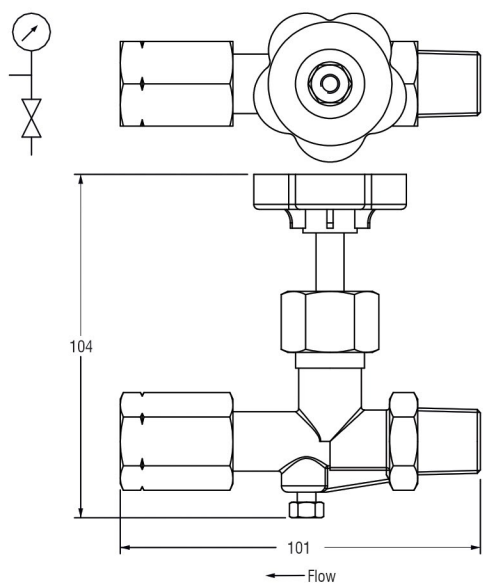
Maximum working pressure : 413 bar at 38°C (6000 psi at 100°F) (see pressure temperature chart on Page No. 07 for higher temperature applications)

AGV 4 G12



Weight: 0.50 kg

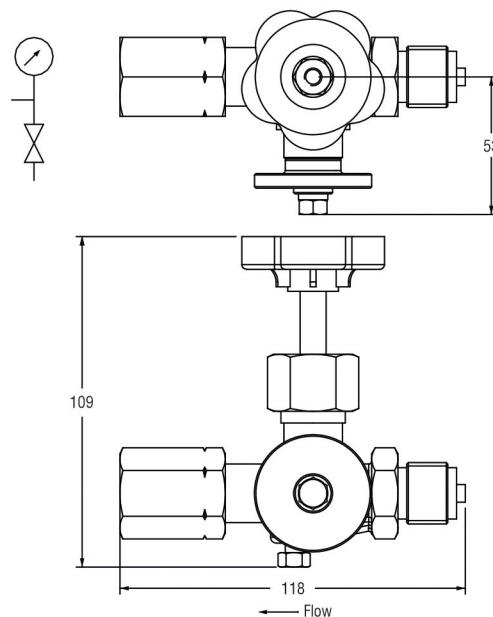
AGV 4 N12



Weight: 0.50 kg

AGV 4 Test Flange

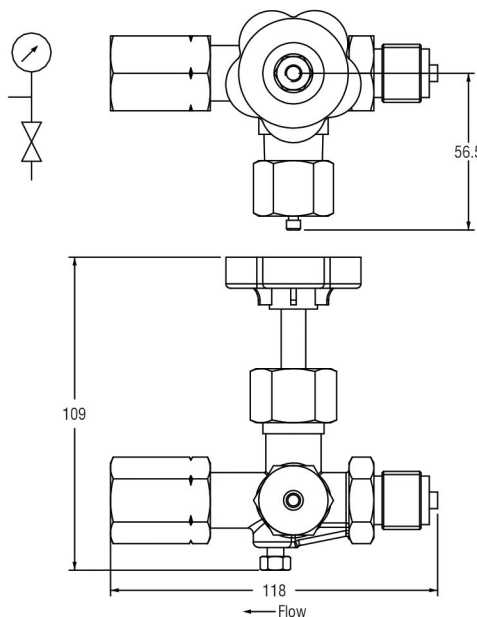
AGV 4 G12 - TF



Weight: 0.50 kg

AGV 4 Test Port

AGV 4 G12 - TP



Weight: 0.50 kg